

What is the SAFELOC[™] two?

The SAFELOC[™] two is a single needle exchange container that offers safe disposal of a 2.5ml syringe with attached needle after use. The SAFELOC[™] two is small and very easy to use and produces an audible click when the 2.5ml syringe with attached needle is locked securely in place.

Once the SAFELOC[™] two needle exchange container is full and locked, it is a safe to carry in a trouser or shirt pocket, in a small bag or in your hands without the fear of a needle stick injury.

Once locked in place, even if left in the community anyone picking this up would be safe and could clearly see that a syringe was inside, therefore the occurrence of an accidental needle stick injury would be minimal.

This piece of equipment directly eliminates sharing and risks of BBV transmission by promoting point of use disposal.

Logistics

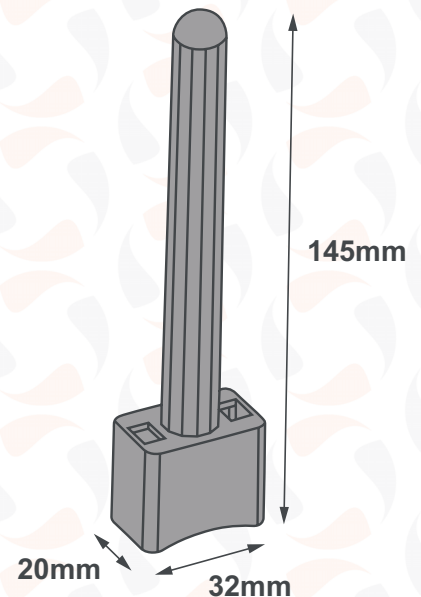
Pcs per Carton:	250pcs
Carton Dimensions (mm):	375(w) x 370(d) x 308(h)
Carton Weight:	5.5kg

Benefits of the SAFELOC[™] two

- Easy to use
- Easy to carry safely
- Easy to dispose of
- Locks syringe and needle in place
- Allows for safe handling by anyone
- Increase in returns
- Increased use of containers
- Reduces waste
- Reduces costs
- Improves value for money
- Reduces Drug litter.

Safety Information

- Makes used syringe and needle safe to carry and hold
- Significantly reduces the chance of a needle stick injury
- Can be disposed of easily and safely in a sharps container as small as 1 Ltr. in size
- Ensure the syringe and needle is fully clicked in to render the needle unusable
- Independently tested and approved to BS EN ISO 23907 for penetration resistance.

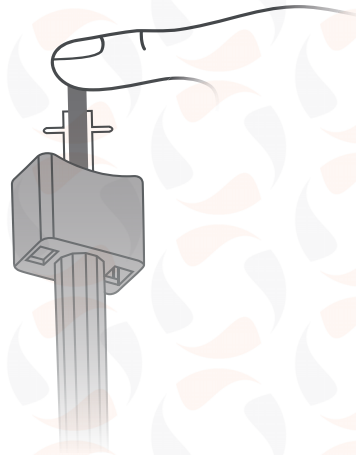


How to use the SAFELOC[™] two

After using a syringe, use the SAFELOC[™] two for safe disposal.

- 1 Get all your equipment including your SAFELOC[™] two ready in a safe place.
- 2 On completion of injection pick up the SAFELOC[™] two and hold in opposite hand ready for use.

- 3 Insert the used needle and syringe into the SAFELOC[™] two and push in with your thumb or finger until you hear and feel it click and lock in place.



- 4 It is now safe to carry the SAFELOC[™] two in your trouser or shirt pocket, in a small bag or in your hands without the fear of a needle stick injury.
- 5 Please be responsible and dispose of your SAFELOC[™] two at your nearest Pharmacy or drug service.