

## What is the SAFELOC<sup>™</sup> one?

The SAFELOC<sup>™</sup> one is a single use needle exchange container that offers safe disposal of a 1ml insulin all-in-one needle and syringe after use. The SAFELOC<sup>™</sup> one is small and very easy to use and produces an audible click when the insulin is locked securely in place.

The Insulin when fully inserted into the SAFELOC<sup>™</sup> one is locked into place whilst at the same time the needle is rendered unusable.

Once the syringe is full and locked, it is a safe to carry in a trouser or shirt pocket, in a small bag or in your hands without the fear of a needle stick injury.

Once locked in place, even if left in the community anyone picking this up would be safe and could clearly see that a syringe was inside, therefore the risk of an accidental needle stick injury would be significantly reduced.

**This piece of equipment directly eliminates sharing and risks of BBV transmission by promoting point of use disposal.**

## Logistics

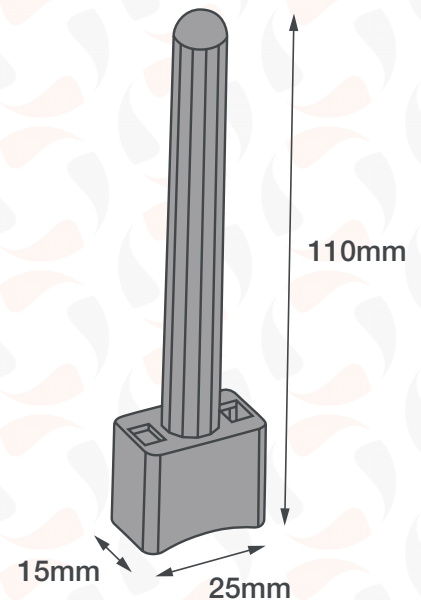
<b>Pcs per Carton:</b>	500pcs
<b>Carton Dimensions (mm):</b>	315(w) x 280(d) x 210(h)
<b>Carton Weight:</b>	4.2kg

## Benefits of the SAFELOC<sup>™</sup> one

- Easy to use
- Easy to carry safely
- Easy to dispose of
- Destroys needle on insertion
- Locks the used insulin in place
- Allows for safe handling by anyone
- Increase in returns
- Increased use of containers
- Reduces waste
- Reduces costs
- Improves value for money
- Reduces Drug litter.

## Safety Information

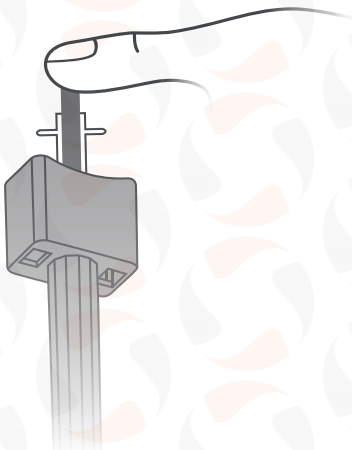
- Makes a used insulin safe to carry and hold
- Significantly reduces the chance of a needle stick injury
- Can be disposed of easily and safely in a sharp's container as small as 1Ltr in size
- Ensure the insulin is fully clicked in to render the needle unusable
- Independently tested and approved to BS EN ISO 23907 for penetration resistance.



## How to use the SAFELOC<sup>TM</sup> one

After using a syringe, use the SAFELOC<sup>TM</sup> one for safe disposal.

- 1 Get all your equipment including your SAFELOC<sup>TM</sup> one ready in a safe place.
- 2 On completion of injection pick up the SAFELOC<sup>TM</sup> one and hold in opposite hand ready for use.
- 3 Insert the used insulin into the SAFELOC<sup>TM</sup> one and push in with your thumb or finger until you hear and feel it click and lock in place.
- 4 Once the insulin is fully locked in place, the needle will also be damaged beyond further use.



- 5 It is now safe to carry the SAFELOC<sup>TM</sup> one in your trouser or shirt pocket, in a small bag or in your hands without the fear of a needle stick injury.
- 6 Please be responsible and dispose of your SAFELOC<sup>TM</sup> one at your nearest Pharmacy or drug service.