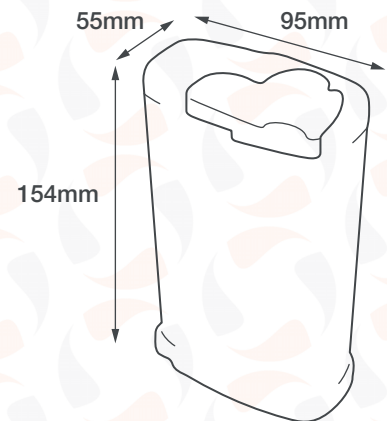


What is the SAFELOC[™] 0,6 Ltr.?

The SAFELOC[™] 0,6 Ltr. is a high quality safety sharps container with a temporary opening for the disposal of needles, syringes and other sharp objects. This container is ideal for use by community Nurses, Doctor surgeries, Tattooists, Acupuncturists, Vets and home personal use.

Material:	Ecological plastic material, polypropylene copolymer coloured with Masterbatches without heavy metals or cadmium.
Colour:	Yellow
Thickness:	Overall 2.5mm
Weight:	108g
Normal Capacity:	0.6 Ltr.
Real Capacity:	0.44 Ltr.
Usable Capacity:	0.4 Ltr.
External Dimensions (mm):	95 (w) x 55 (d) x 154 (h)



Logistics

Pcs per Carton:	56pcs
Carton Dimensions (mm):	375 (w) x 370 (d) x 308 (h)
Carton Weight:	6.6kg

Certifications

Kite Mark - Compliance to BS.EN.ISO.23907
Compliant to UN3291 - UN certificate UN/3H1/Y1/S/15/GB/5980
Autoclavable at 134° for 18 minutes

Benefits of the SAFELOC[™] 0,6 Ltr.

- Accepts 1ml, 2ml and 5ml Syringes
- Non-Return 'Petal' Aperture
- Autoclavable at 134° for 18mins
- Large base allows for improved stability
- Excellent temporary closure ensuring no spillage of needles.

Safety Information

- Safe closure, easy to use and handle
- Sharp and cutting object resistant
- Penetration resistance 150% higher than British Standard
- Maximum filling level indicator
- Irreversible permanent closure
- To be disposed through incineration, releasing non-toxic emissions.

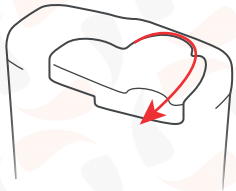
How to use the SAFELOC[™] 0,6 Ltr.

Opening:

The containers are sold with body and lid assembled.

To open 'Slide' as shown.

SLIDE TO OPEN



Temporary Closure:

Slide swivel lid as shown. Bin now closed in a temporary position.

At this stage the cap can be re-opened by moving it back in the opposite direction.

SLIDE TO CLOSE

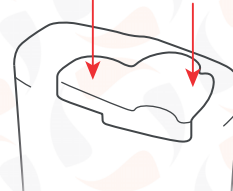


Permanent Closure:

From the temporary closure position, firmly press down on the positions shown until it clicks.

At this stage closure is permanent. Instructions also present on label.

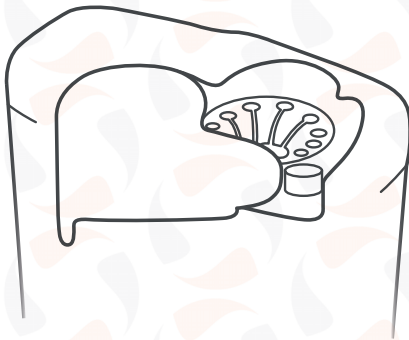
PUSH DOWN



Use:

During use, open the cap and close temporarily when not in use.

Close permanently when full (Fill line indicated on label).



Safe Disposal:

Integrated 'Petal' aperture means syringes cannot be removed once fully inserted.

Safe disposal of syringe and needle up to 5ml syringes.

Needles and syringes inserted sharps side down meaning safe even when turned upside down.

Container provided with one non return 'Petal' opening.

Suitable to autoclave at 134° for 18min.

Once filled, the container must be disposed of through incineration, releasing non-toxic emissions.